

- Hollow shaft up to 25.4 mm (1")
- Floating shaft system
- Directly mounts to the motor shaft or spindle
- 5 V or 10 V ... 30 V
- Push-pull, RS 422 or TTL line driver
- Cable or connector versions



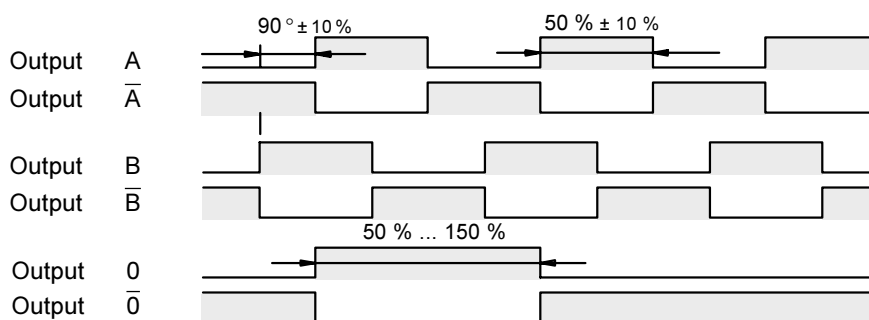
Pulses per revolution:

Plastic disc: Every pulse per revolution: between 1 and 2500.

Electrical Specifications:

Measuring principle		Photoelectric		
Maximum pulse count	[I/U]	2500		
		RS422	TTL	Push-pull
No-load current I_0 at				
Operating voltage $U_B = 5 V \pm 5 \%$	[mA]	160	160	--
Operating voltage $U_B = 10 V \dots 30 V$	[mA]	160	--	100
Operating current I_L per channel	[mA]	20	20	40, short circuit protect.
Voltage drop U_d	[V]	--	--	< 4
Maximum output frequency f	[kHz]	20	20	20
Response times	[ns]	100	100	250

Signal Output Configuration (for clockwise rotation):

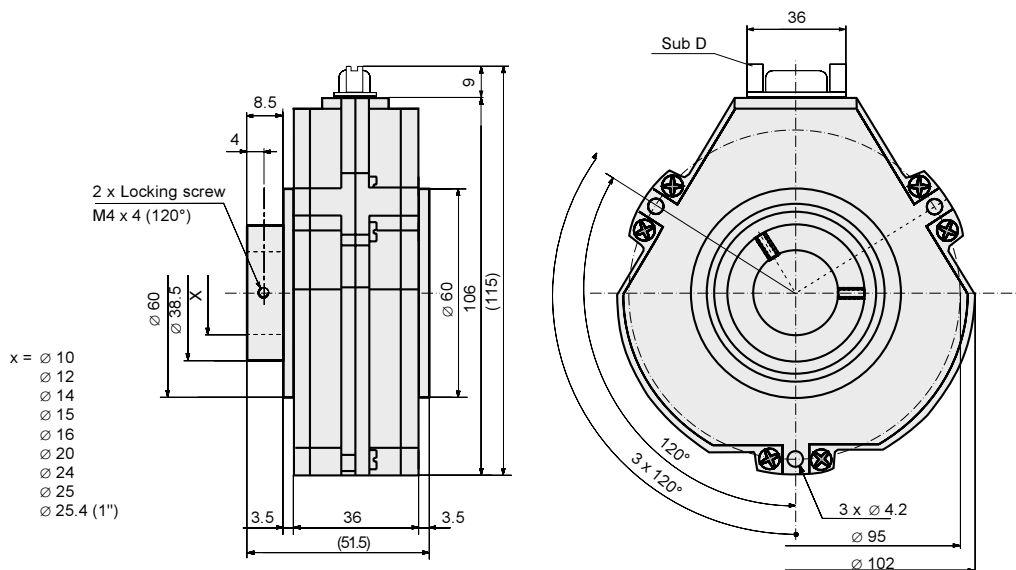


Electrical Connections

	GND	U_B	A	B	\bar{A}	\bar{B}	0	$\bar{0}$
8-wire cable, twisted pair	white	brown	green	grey	yellow	pink	blue	red
Connector 9-pin (Sub D)	1	2	3	4	6	7	5	8
Connector 9416	1	2	3	4	5	6	7	8

Date of issue 15.09.1998

Mechanical Dimensions:



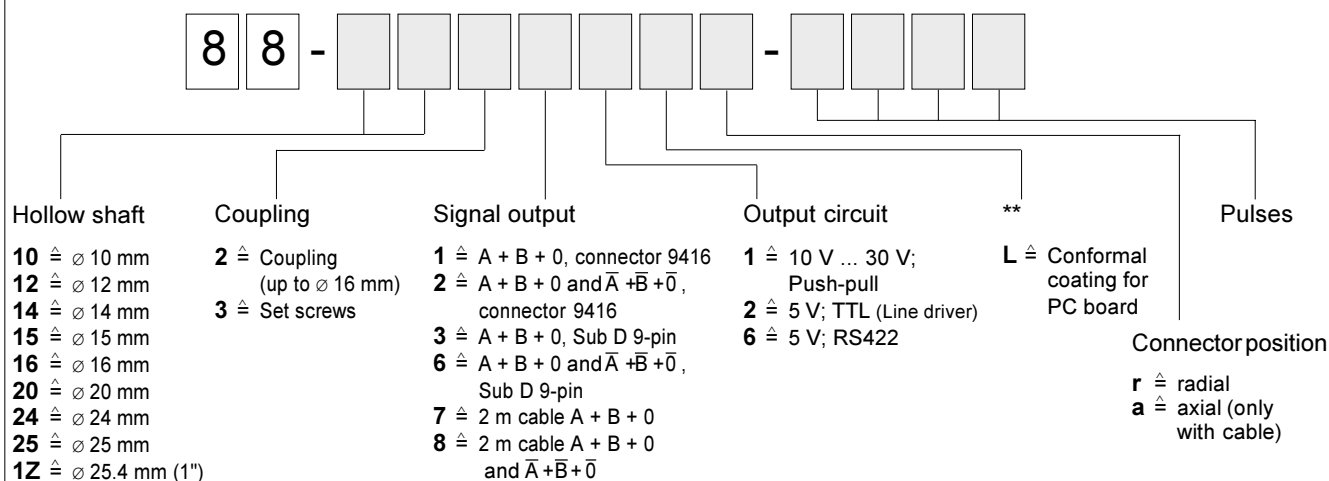
Mechanical Specifications:

Housing		die-cast zinc alloy
Pulse disc		Plastic
Shaft		Stainless steel
Bearings		2 grooved ball bearings
Weight (incl. 2 m cable)	[g]	900
Maximum rotation	[min ⁻¹]	6000
Inertia	[gcm ²]	500
Starting torque (20 °C)	[Ncm]	< 1.5
Torque (20 °C)	[Ncm]	< 1.0

Environmental Conditions:

Storage temperature	[°C]	-40 ... 60
Working temperature	[°C]	-20 ... 60
Climate check acc. to IEC 68-2-3		40 °C, 98 % rel. humid. (non-condensation), 6 days
Interference output acc. to		EN 50081-2, 1193
Interference resistance acc. to		EN 50082-2, 1195
Shock resistance acc. to IEC 68-2-27		100 g , 1 ms
Protection class acc. to DIN 40050		IP 54

Key to Model Number:



** Not applicable with standard version.

Date of issue 15.09.1998