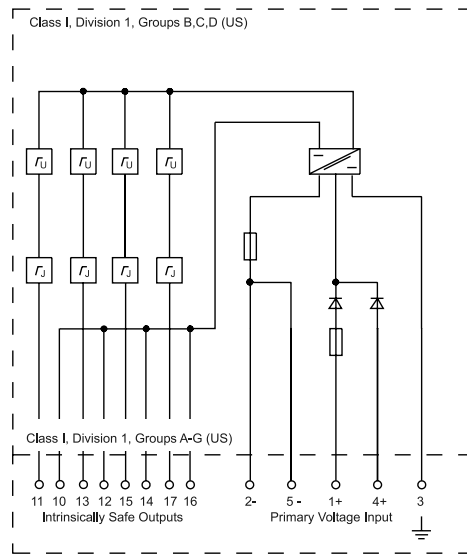


- Four (4) intrinsically safe output circuits
- Output circuits rated 8.5 W each
- Installation in the hazardous area: Class I, Division 1, Groups B - D (US)
- Intrinsically safe outputs: Class I, Division 1, Groups A-G (US)
- Redundant terminals for input connections
- Mounted in a flame-proof enclosure with standard internal terminal blocks

This power supply can be mounted directly in the hazardous area and it provides four (4) intrinsically safe output circuits. The power supply comes in a flame-proof enclosure, is provided with 2 conduit screw fittings and has internal terminal blocks for the following connections:

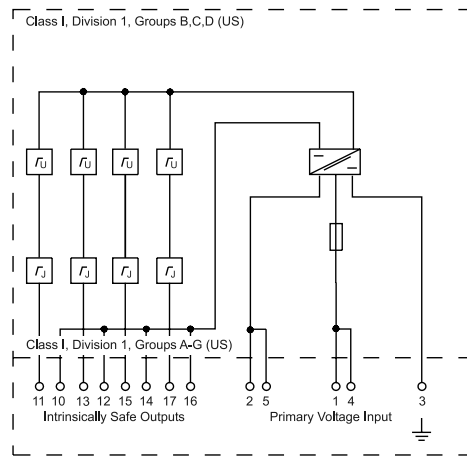
1. Primary voltage IN
2. Redundant primary voltage IN
3. Intrinsically safe output circuits

The input and output circuits are galvanically isolated, however the output circuits are not isolated from one another.



DC version

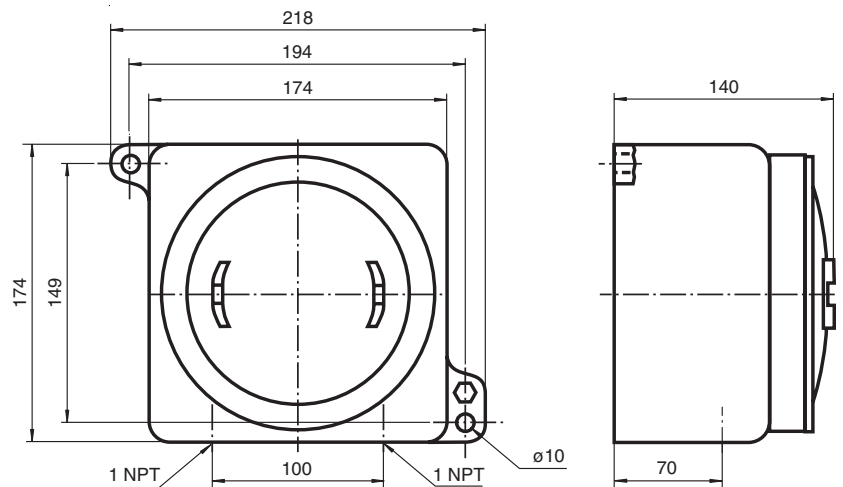
RSD2-PSD-Ex4.34.CON



AC version

RSA6-PSD-Ex4.34.CON

Dimensions





Technical Data Power supply Input voltage Ripple Mains frequency Power consumption Power dissipation	DC 18 V ... 32 V, terminals 1+,4+,2-,5- (RSD2-PSD-Ex4.34.CON) AC 85 V ... 264 V, terminals 1 ,4 ,2 ,5 (RSA6-PSD-Ex4.34.CON) AC 5% (RSD2-PSD-Ex4.34.CON only) 45 ... 65 Hz (RSA6-PSD-Ex4.34.CON only) DC 55 W (RSD2-PSD-Ex4.34.CON) AC 53 W (RSA6-PSD-Ex4.34.CON) 21 W																					
Output voltage Output power	terminals 10+, 12+, 14+, 16+; 11-, 13-, 15-, 17- 8.5 W (each channel)																					
Details of Certificate of Conformity Voltage U_0 Current I_0 Power P_0 Max.external capacitance (IIB) Max. external inductance (IIB)	<table border="1"> <thead> <tr> <th>DC RSD2-PSD-Ex4.34 BVS 98.D.2017X</th> <th>DC RSD2-PSD2-Ex4.34 BVS 98.D.2017X</th> <th>AC RSAG-PSD-Ex4.34 BVS 98.D.2017X</th> </tr> </thead> <tbody> <tr> <td>9.5 V</td> <td>9.5 V</td> <td>9.5 V</td> </tr> <tr> <td>1 A</td> <td>1 A</td> <td>1 A</td> </tr> <tr> <td>9.5 W</td> <td>9.5 W</td> <td>9.5 W</td> </tr> <tr> <td>800 nF</td> <td>500 nF</td> <td>500 nF</td> </tr> <tr> <td>10 μH</td> <td>8 μH</td> <td>8 μH</td> </tr> <tr> <td colspan="3">typical cable length 3.5 m (1.5 mm²); 5.9 m (2.5 mm²)</td> </tr> </tbody> </table>	DC RSD2-PSD-Ex4.34 BVS 98.D.2017X	DC RSD2-PSD2-Ex4.34 BVS 98.D.2017X	AC RSAG-PSD-Ex4.34 BVS 98.D.2017X	9.5 V	9.5 V	9.5 V	1 A	1 A	1 A	9.5 W	9.5 W	9.5 W	800 nF	500 nF	500 nF	10 μ H	8 μ H	8 μ H	typical cable length 3.5 m (1.5 mm ²); 5.9 m (2.5 mm ²)		
DC RSD2-PSD-Ex4.34 BVS 98.D.2017X	DC RSD2-PSD2-Ex4.34 BVS 98.D.2017X	AC RSAG-PSD-Ex4.34 BVS 98.D.2017X																				
9.5 V	9.5 V	9.5 V																				
1 A	1 A	1 A																				
9.5 W	9.5 W	9.5 W																				
800 nF	500 nF	500 nF																				
10 μ H	8 μ H	8 μ H																				
typical cable length 3.5 m (1.5 mm ²); 5.9 m (2.5 mm ²)																						
Permissible circuit values Ignition protection class, category Explosion group Fail-safe maximum voltage U_m Power supply	device: Class I, Division 1, Groups B-D (US); outputs: Class I, Division 1, Groups A-G (US); DC 40 V																					
Mechanical Housing dimensions Protection class Weight	174 mm x 218 mm x 140 mm IP66 4460 g																					
Ambient temperature Storage temperature	-20 °C ... +70 °C (-4 °F ... 158 °F or 253 K ... 343 K) -20 °C ... +100 °C (253 K ... 373 K)																					

Date of issue 05/04/07 039056_107131_ENG