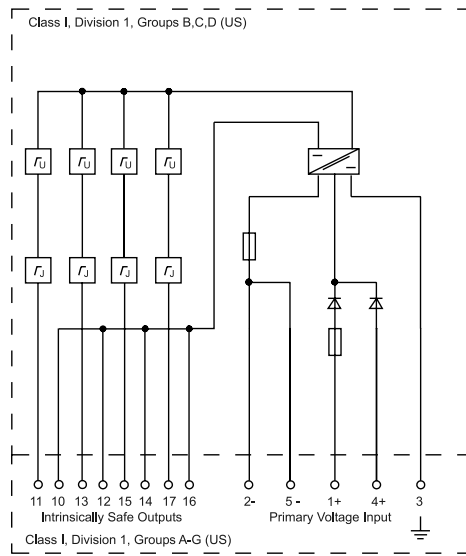


- Four (4) intrinsically safe output circuits
- Output circuits rated 8.5 W each
- Installation in the hazardous area: Class I, Division 1, Groups B-D (US)
- Intrinsically safe outputs: Class I, Division 1, Groups A-G (US)
- Terminals for redundant primary input (DC version)
- Terminals for daisy-chaining of primary input (AC version)
- Mounted in a flame-proof enclosure with standard internal terminal blocks

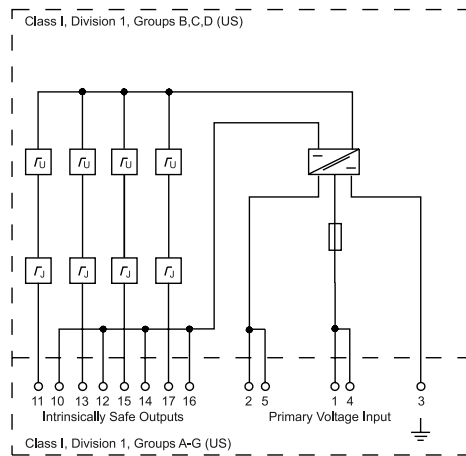
This power supply can be mounted directly in the hazardous area and it provides four (4) intrinsically safe output circuits. The power supply comes in a flame-proof enclosure, is provided with 2 conduit screw fittings and has internal terminal blocks for the connections. The DC version has terminals for a redundant primary input. The AC version has terminals for daisy-chaining of the primary input.

The input and output circuits are galvanically isolated, however the output circuits are not isolated from one another.



DC version

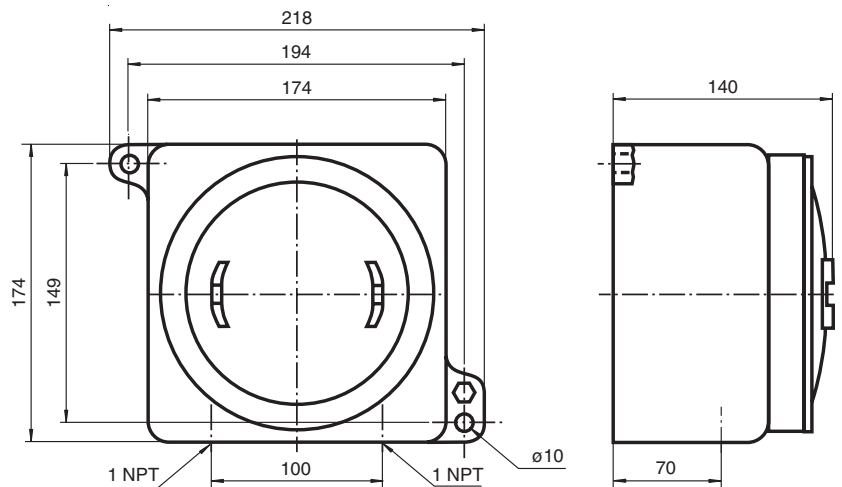
RSD2-PSD-Ex4.34.CON



AC version

RSA6-PSD-Ex4.34.CON

Dimensions



Date of issue 2013-02-25 039056_107131_ENG



<p>Technical Data Power supply Input voltage</p> <p>Ripple on DC Mains frequency Power consumption</p> <p>Power dissipation</p>	<p>DC 18 V ... 32 V, terminals 1+,4+,2-,5- (RSD2-PSD-Ex4.34.CON) AC 85 V ... 264 V, terminals 1 ,4 ,2 ,5 (RSA6-PSD-Ex4.34.CON) 5 % within voltage limits (RSD2-PSD-Ex4.34.CON only) 45 ... 65 Hz (RSA6-PSD-Ex4.34.CON only) DC 55 W (RSD2-PSD-Ex4.34.CON) AC 53 W (RSA6-PSD-Ex4.34.CON) DC 21 W (RSD2-PSD-Ex4.34.CON) AC 19 W (RSA6-PSD-Ex4.34.CON)</p>																				
<p>Output voltage Output power</p>	<p>terminals 10+, 12+, 14+, 16+; 11-, 13-, 15-, 17- 8.5 W (each channel)</p>																				
<p>Details of Certificate of Conformity Voltage U_0 Current I_0 Power P_0 Max.external capacitance (IIB) Max. external inductance (IIB)</p> <p>Maximum safety-related voltage U_m Power supply</p> <p>Permissible circuit values Ignition protection class, category Explosion group</p>	<table border="1"> <thead> <tr> <th>DC</th> <th>AC</th> </tr> </thead> <tbody> <tr> <td>RSD2-PSD2-Ex4.34.CON</td> <td>RSA6-PSD-Ex4.34.CON</td> </tr> <tr> <td>BVS 98.D.2017X</td> <td>BVS 98.D.2017X</td> </tr> <tr> <td>9.5 V</td> <td>9.5 V</td> </tr> <tr> <td>1 A</td> <td>1 A</td> </tr> <tr> <td>9.5 W</td> <td>9.5 W</td> </tr> <tr> <td>500 nF</td> <td>500 nF</td> </tr> <tr> <td>8 μH</td> <td>8 μH</td> </tr> <tr> <td colspan="2">typical cable length 3.5 m (1.5 mm²); 5.9 m (2.5 mm²)</td> </tr> <tr> <td>DC 40 V</td> <td></td> </tr> </tbody> </table> <p>device: Class I, Division 1, Groups B-D (US); outputs: Class I, Division 1, Groups A-G (US);</p>	DC	AC	RSD2-PSD2-Ex4.34.CON	RSA6-PSD-Ex4.34.CON	BVS 98.D.2017X	BVS 98.D.2017X	9.5 V	9.5 V	1 A	1 A	9.5 W	9.5 W	500 nF	500 nF	8 μ H	8 μ H	typical cable length 3.5 m (1.5 mm ²); 5.9 m (2.5 mm ²)		DC 40 V	
DC	AC																				
RSD2-PSD2-Ex4.34.CON	RSA6-PSD-Ex4.34.CON																				
BVS 98.D.2017X	BVS 98.D.2017X																				
9.5 V	9.5 V																				
1 A	1 A																				
9.5 W	9.5 W																				
500 nF	500 nF																				
8 μ H	8 μ H																				
typical cable length 3.5 m (1.5 mm ²); 5.9 m (2.5 mm ²)																					
DC 40 V																					
<p>Mechanical Housing dimensions Protection class Weight</p>	<p>174 mm x 218 mm x 140 mm IP66 4460 g</p>																				
<p>Ambient temperature Storage temperature</p>	<p>-20 °C ... +70 °C (-4 °F ... 158 °F or 253 K ... 343 K) -20 °C ... +100 °C (253 K ... 373 K)</p>																				

Date of issue 2013-02-25 039056_107131_ENG