

# Model 2/942

## Switch amplifier with Relay Output



### Product features

- NAMUR inputs, mechanical contacts, or optocouplers
- DIN rail mounted
- 1 or 2 channels
- Line monitoring
- Galvanic isolation between input, output, power supply and contacts
- EMV to EN 61326 and NE21
- EEx ia/ib approved
- Up to SIL 1 acc. to EN 61508

### Technical data:

Input	NAMUR specification
Output relay	1 change over
Voltage rating	250 V AC / 100 V DC
Current rating	5 A AC / 2 A DC
Power rating	100 VA / 50 W
Mechanical life	10 Mio. operations (20 Hz max.)
Phase reversal	via front switch
230 V / 2.2 VA per channel	
Power consumption at	24 V 0.55 W per channel
Ambient temperature	-20 °C ... +60 °C
Relative humidity	< 95 %, no condensation

### Explosion protection:

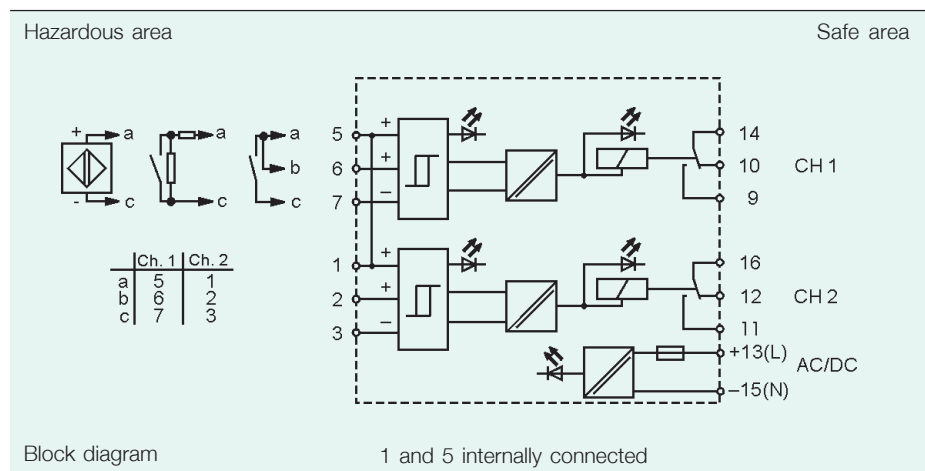
Category	II (1) GD [EEx ia] IIC
Ex-Type Examination	TÜV 97 ATEX 1169
Safety values	Voc = 10.5 V, Isc = 26 mA, Po = 67 mW

### Ordering details

Type	Channels	Power supply	Ex-protection	Order No.
2/942	1 channel	24 V AC	ia/ib	GHG 122 3111 D 1007
2/942	1 channel	24 V DC	ia/ib	GHG 122 3111 D 1009
2/942	2 channels	24 V AC	ia/ib	GHG 122 3121 D 1007
2/942	2 channels	24 V DC	ia/ib	GHG 122 3121 D 1009
2/942	2 channels	24 V AC	-	GHG 122 3021 D 1007
2/942	2 channels	24 V DC	-	GHG 122 3021 D 1009
2/942	1 channel / 2 outputs	24 V DC	ia/ib	GHG 122 3191 D 1009
2/942	1 channel / 2 outputs	24 V AC	ia/ib	GHG 122 3191 D 1007
2/942	1 channel*	24 V DC	ia/ib	GHG 122 3121 D 1994

\* Line fault detection on relay 2

Versions 120 / 230 V AC see next page



Don't remove terminals when energized.

# Model 2/942 Switch Amplifier with Relay Output



## Product features

- NAMUR inputs, mechanical contacts or optocouplers
- DIN rail mounted
- 1 or 2 channels
- Line monitoring
- Galvanic isolation between input, output, power supply and contacts
- EMC to EN 61326
- EEx ia/ib approved
- Up to SIL 1 acc. to EN 61508

## Technical data:

Input	NAMUR specification
Output relay	1 change over
Voltage rating	250 V AC / 100 V DC
Current rating	5 A AC / 2 A DC
Power rating	100 VA / 50 W
Mechanical life	10 Mio. operations (20 Hz max.)
Phase reversal	via front switch
Power consumption at 230 V	2.2 VA per channel
Ambient temperature	-20 °C ... +60 °C
Relative humidity	< 95 %, no condensation

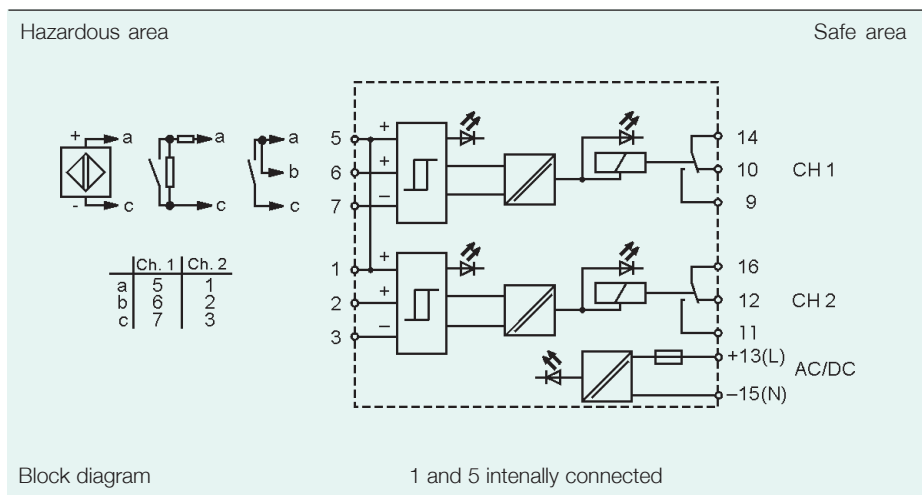
## Explosion protection:

Category	II (1) GD [EEx ia] IIC
EC-Type Examination	TUV 97 ATEX 1169
Safety values	Voc < 10.5 V, Isc < 26 mA, Po < 67 mW

## Ordering details

Type	Channels	Power supply	Ex-protection	Order No.
2/942	1 channel	230 V AC	ia/ib	GHG 122 3111 D 1002
2/942	1 channel	120 V AC	ia/ib	GHG 122 3111 D 1003
2/942	2 channels	230 V AC	ia/ib	GHG 122 3121 D 1002
2/942	2 channels	120 V AC	ia/ib	GHG 122 3121 D 1003
2/942	2 channels	230 V AC	-	GHG 122 3021 D 1002
2/942	2 channels	120 V AC	-	GHG 122 3021 D 1003
2/942	1 channel	230 V AC	ia/ib	GHG 122 3191 D 1002
		2 outputs		
2/942	1 channel	120 V AC	ia/ib	GHG 122 3121 D 1003
		2 outputs		
2/942	1 channel*	230 V AC	ia/ib	GHG 122 3121 D 1992
2/942	1 channel*	120 V AC	ia/ib	GHG 122 3121 D 1993

\* Line fault monitored via relay 2



Don't remove terminals when energized.