

Model 5/304 Current Driver



Product features

- Analog output for 4 - 20 mA signals (I/P converter, displays, positioners)
- DIN rail mounted
- Short circuit protected outputs
- Galvanic isolation between input, output and power supply
- EMC to EN 61326 and NE21
- EEx ia/ib approved

Technical data:

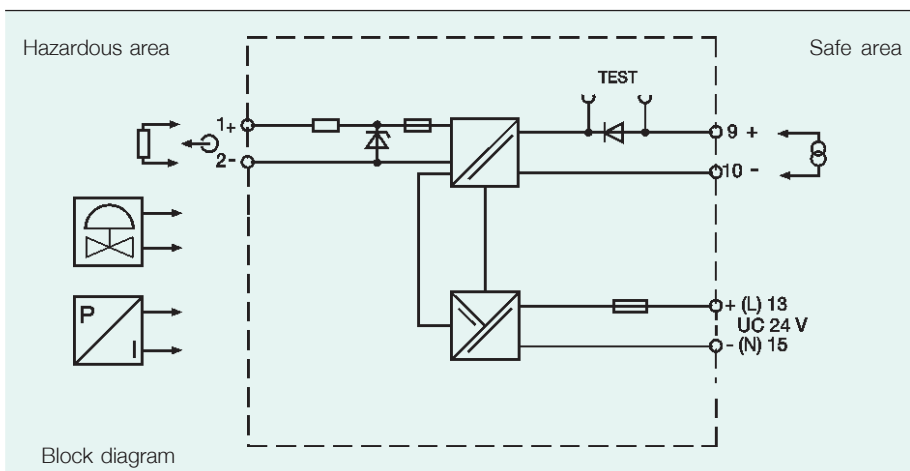
Input impedance	25 Ω
Max. load at	22.5 V Power supply: 500 Ω
Linearity	20 V Power supply: 320 Ω
Temperature drift	< 0.1%
Response time	< 0.1% / 10 K
Power supply	100 ms (10 - 90 %)
Power consumption	20 - 26.4 V AC
Ambient temperature	20 - 30 V DC
Relative humidity	2.3 VA / 1.4 W
	-20 °C ... +60 °C
	< 95 %, no condensation

Explosion protection:

Category	II (1) GD [EEx ia] IIC
EC-Type Examination	TUV 97 ATEX 1166
Safety values	Voc = 20 V, Isc = 70 mA, Po = 350 mW Characteristic: linear

Ordering details

Type	Ex-protection	Order No.
5/304	ia/ib	GHG 125 3310 H 0306
5/304	-	GHG 125 3010 H 0306



Don't remove terminals when energized.