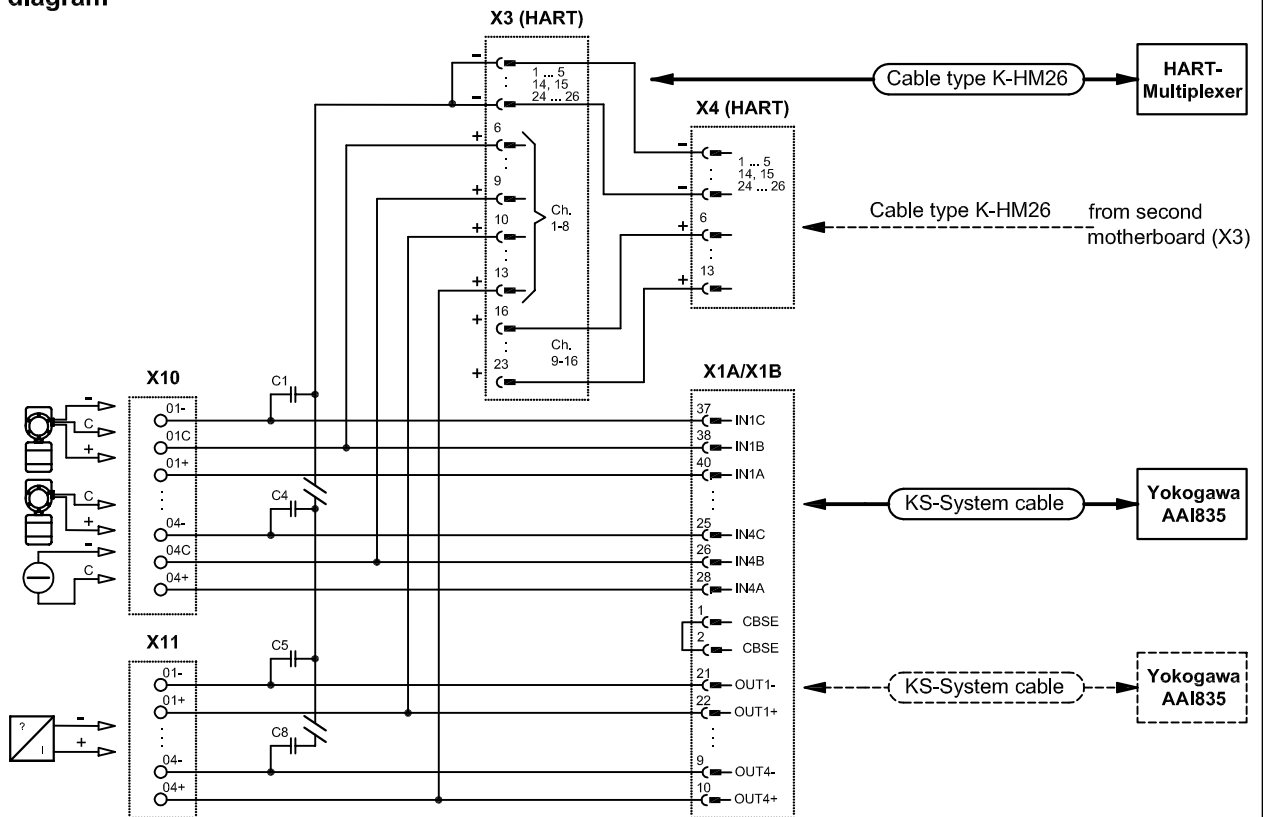


Technical Description		
Field termination: X10, X11	Pressure clamp	AI/AO
System connector: X1A, X1B	40 pin male YO40	AI/AO
Connector HART-Mux: X3, X4	26 pin HART connector	HART-communication
Max. current / channel		2A

Function: Termination-Board to connect to the Yokogawa CS 3000 R3 I/O card. The TB System connector X1A/X1B links to the Yokogawa I/O card via a standard cable supplied by Yokogawa. Two system connectors in parallel allow for redundant applications. The connections to/from the field are screw terminals X10, X11. A HART connector X3 (8 channels intern) and X4 (8 channels extern), in parallel with the system connector, links to the Pepperl+Fuchs HART multiplexer via a ribbon cable type K-HM26. The board is designed to be mounted vertically on DIN-Rail (DIN EN 5022).

Circuit diagram



Options: TB-C3-AIO8-SCSI40: PN XXXXX (36-9320_2) with SCSI connector

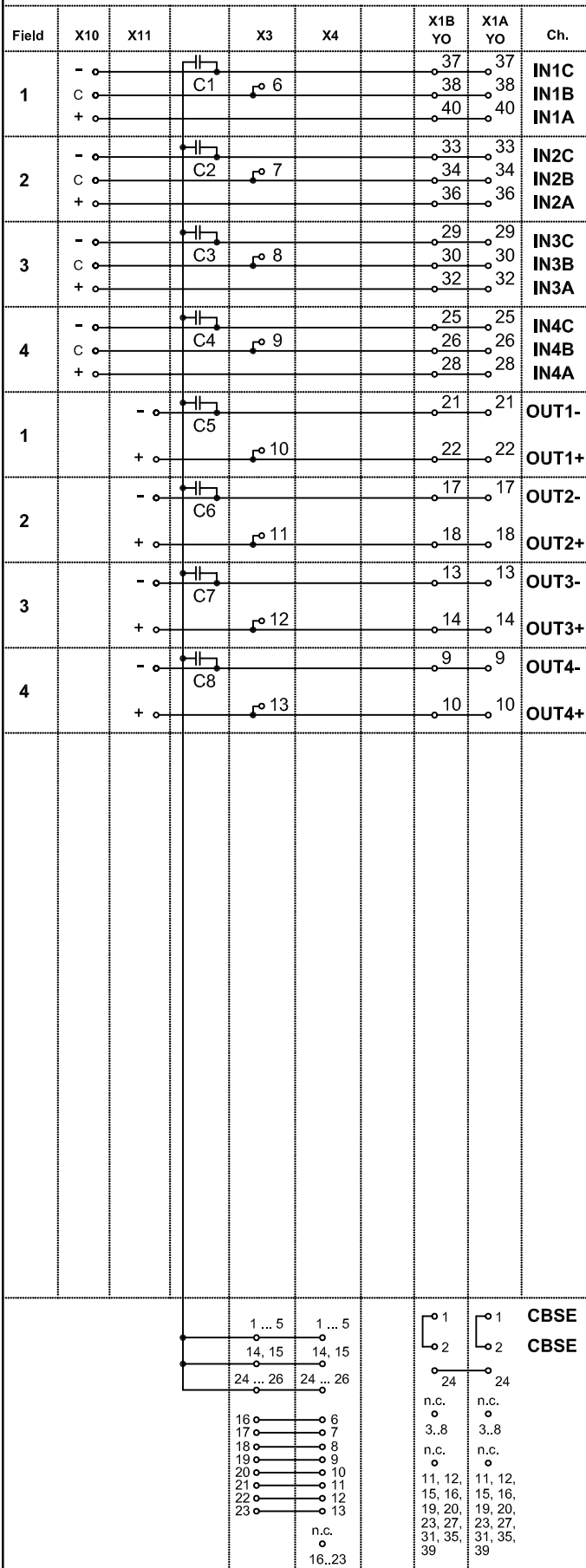
22.11.05	Bro	vB/Hi	Hi/vB	
Date	S TZ	Off. in ch.	contr. techn.	contr. Norm
Dept.: PA-PG-IF	No. 36-9320D1			
Up date: 22.09.10	Replaces: xxxxx / 36-xxxx		Sheet 1 of 2	
		Scale: 1 : 2		

copyright according to DIN34 unauthorized distribution and reproduction prohibited


PEPPERL+FUCHS
Mannheim-Schönau

FI-Module
Non IS termination board
4AI + 4AO channels - redundant
TB-C3-AIO8-KS-Y188685

Channels 1 ... 8



copyright according to DIN34
unauthorized distribution and reproduction prohibited

		22.11.05	Bro	vB/Hi	Hi/vB	
Date	S	TD	Off. in ch.	contr. techn.	contr. Norm	
 PEPPERL+FUCHS Mannheim-Schönau		FI-Module Non IS termination board 4AI + 4AO channels - redundant TB-C3-AIO8-KS-Y188685		Dept.: PA-PG-IF HB Up date: 22.09.10 Replaces: xxxxx / 36-xxxx Scale: - : - of 2		No. 36-9320D1 Sheet 2