

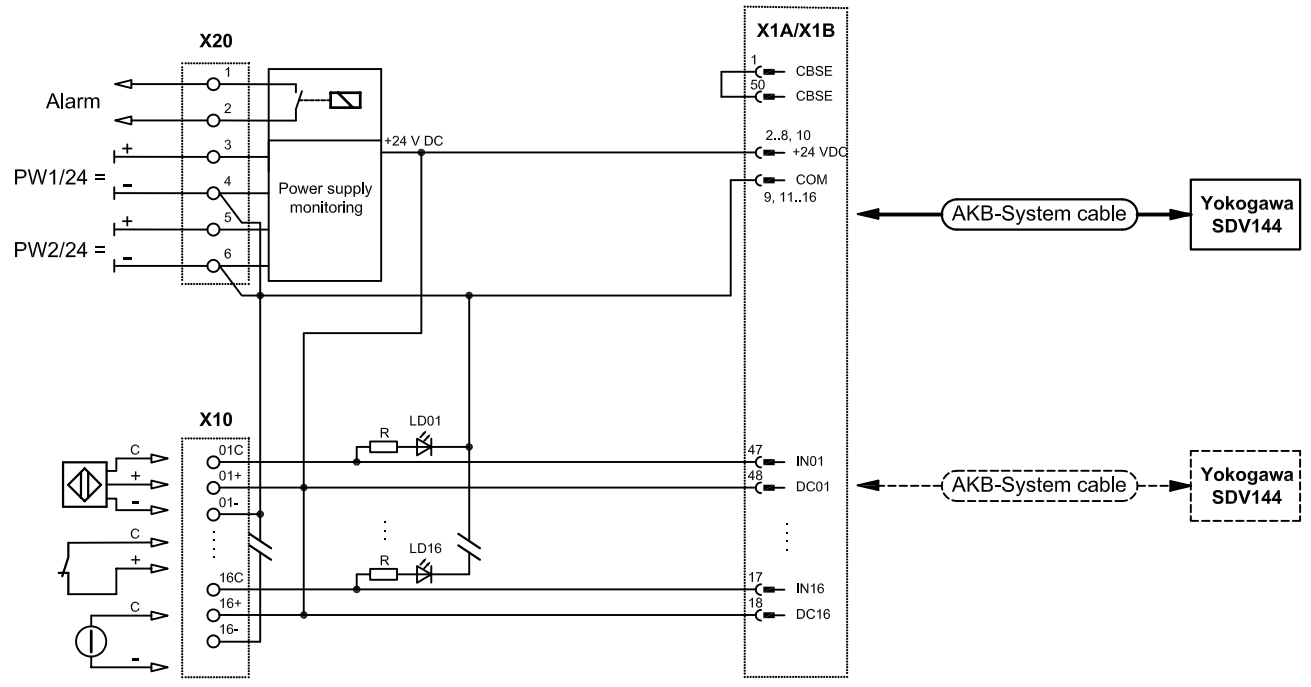
**Technical Description**

Field termination: X10	Pressure clamp terminal AWG 14...24	DI
System connector: X1A, X1B	50 pin YO50 AKB (331)	DI
Power feed: X20.3 ... 6	Redundant Power feed	24 V DC / max. 2 A
Alarm: X20.1, X20.2	Power Alarm	Relay contact max. 30 V AC, 40 V DC, 2 A
F150; 151	Power feed fuse	2 A
X20	6 pin screw terminal (removable)	Power feed terminal

**Please note:** If the SDV144 pulse diagnostic is on, the yellow LEDs with open input circuit are flashing.

**Function:** Termination-Board to connect to the Yokogawa ProSafe RS I/O card. The TB System connector X1A/X1B links to the Yokogawa I/O card via a standard cable supplied by Yokogawa. Two system connectors in parallel allow for redundant applications. The connections to/from the field are pressure clamp terminals X10. The unit has a 24 V DC redundant power supply feed, monitored by a potential free relay contact. (X20. 1, 2) LED PW1, PW2 and Alarm indicate the actual power status. Following field devices are supported: 3-wire sensor, potential free contact, active voltage surge (see circuit diagram). Fuses are supervised and monitored by the Alarm relay. The board is designed to be mounted on DIN-Rail (DIN EN5022).

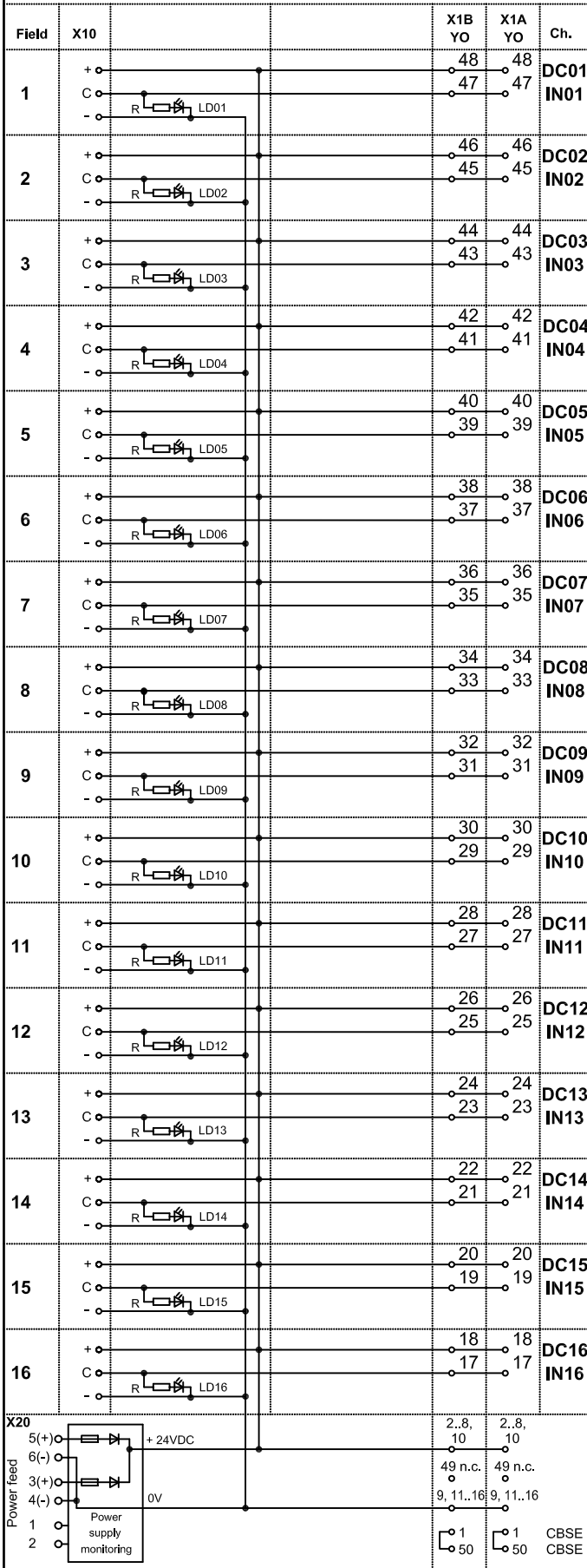
**Circuit diagram**



<b>Options:</b> TB-DI16-SCSI50: PN 185848 (36-9308_2) with SCSI connector	25.05.05	Bro/vB	vB	Sb/vB	
	Date	TZ	Off. in ch.	contr. techn.	contr. Norm
	Dept.:	PA-PG-IF	<b>No.36-9308g1</b>		
	Up date:	HB 02.11.10	Replaces: xxxxx / 36-xxxx	Sheet 1	
			Scale: 1 : 2	of 3	

copyright according to DIN34 unauthorized distribution and reproduction prohibited

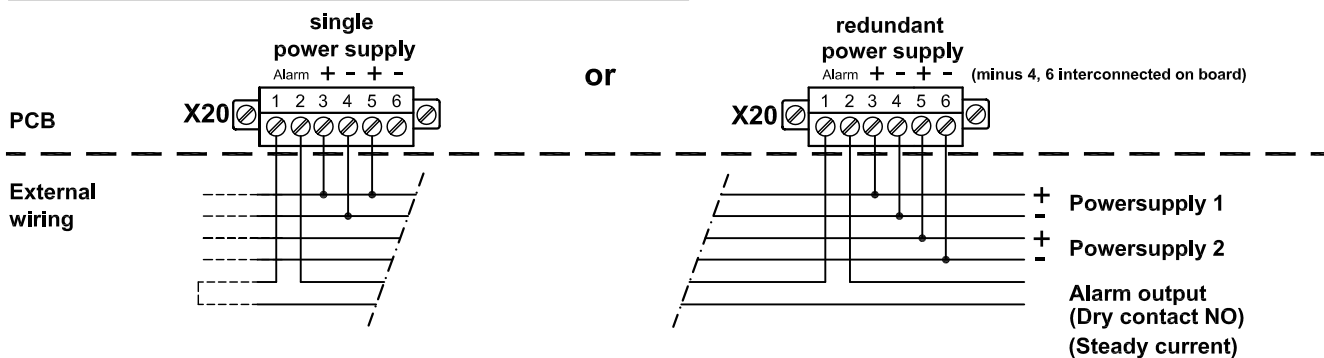
### Channels 1 ... 16



copyright according to DIN34  
unauthorized distribution and reproduction prohibited

<p><b>PEPPERL+FUCHS</b> Mannheim-Schönau</p>	<p>FI-Module Non IS termination board DI 16 channels - redundant <b>TB-RS-DI16-AKB-185847</b></p>	25.05.05	Bro/vB	vB	Sb/vB	
		Date	TZ	Off. in ch.	contr. techn.	contr. Norm
		Dept.: PA-PG-IF	<b>No. 36-9308g1</b>			
		Up date: HB 02.11.10	Replaces: xxxxx / 36-xxxx		Sheet 2	
		Scale: 1 : 2			of 3	


**Connection power supply and error message (Alarm)**



**Alarm LD indication and contact status**

Power supply 1	Power supply 2	LD green	X20.1, X20.2 Alarm contact	LD red (Flashing)
PS <b>ON</b> and Fuse 150 <b>OK</b>	PS <b>ON</b> and Fuse 151 <b>OK</b>	LD150 <b>ON</b> LD151 <b>ON</b>	contact <b>closed</b>	LD135 <b>OFF</b>
PS <b>ON</b> and Fuse 150 <b>OK</b>	PS <b>OFF</b>	LD150 <b>OFF</b> LD151 <b>OFF</b>	contact <b>open</b>	LD135 <b>ON</b>
PS <b>OFF</b>	PS <b>ON</b> and Fuse 151 <b>OK</b>	LD150 <b>OFF</b> LD151 <b>ON</b>	contact <b>open</b>	LD135 <b>ON</b>
PS <b>ON</b> and Fuse 150 <b>OK</b>	PS <b>ON</b> and Fuse 151 <b>broken</b>	LD150 <b>ON</b> LD151 <b>OFF</b>	contact <b>open</b>	LD135 <b>ON</b>
PS <b>ON</b> and Fuse 150 <b>broken</b>	PS <b>ON</b> and Fuse 151 <b>OK</b>	LD150 <b>OFF</b> LD151 <b>ON</b>	contact <b>open</b>	LD135 <b>ON</b>
PS <b>ON</b> and Fuse 150 <b>broken</b>	PS <b>ON</b> and Fuse 151 <b>broken</b>	LD150 <b>OFF</b> LD151 <b>OFF</b>	contact <b>open</b>	LD135 <b>OFF</b>
PS <b>OFF</b>	PS <b>OFF</b>	LD150 <b>OFF</b> LD151 <b>OFF</b>	contact <b>open</b>	LD135 <b>OFF</b>

copyright according to DIN34 unauthorized distribution and reproduction prohibited

 <b>PEPPERL+FUCHS</b> Mannheim-Schönau	FI-Module Non IS termination board DI 16 channels - redundant <b>TB-RS-DI16-AKB-185847</b>	25.05.05	Bro/vB	vB	Sb/vB	
		Date	TZ	Off. in ch.	contr. techn.	contr. Norm
		Dept.: PA-PG-IF	<b>No.36-9308g1</b>			
		Up date: <sup>HB</sup> 02.11.10	Replaces: xxxxxx / 36-xxxx	Sheet 3		
			Scale: 1:2	of 3		