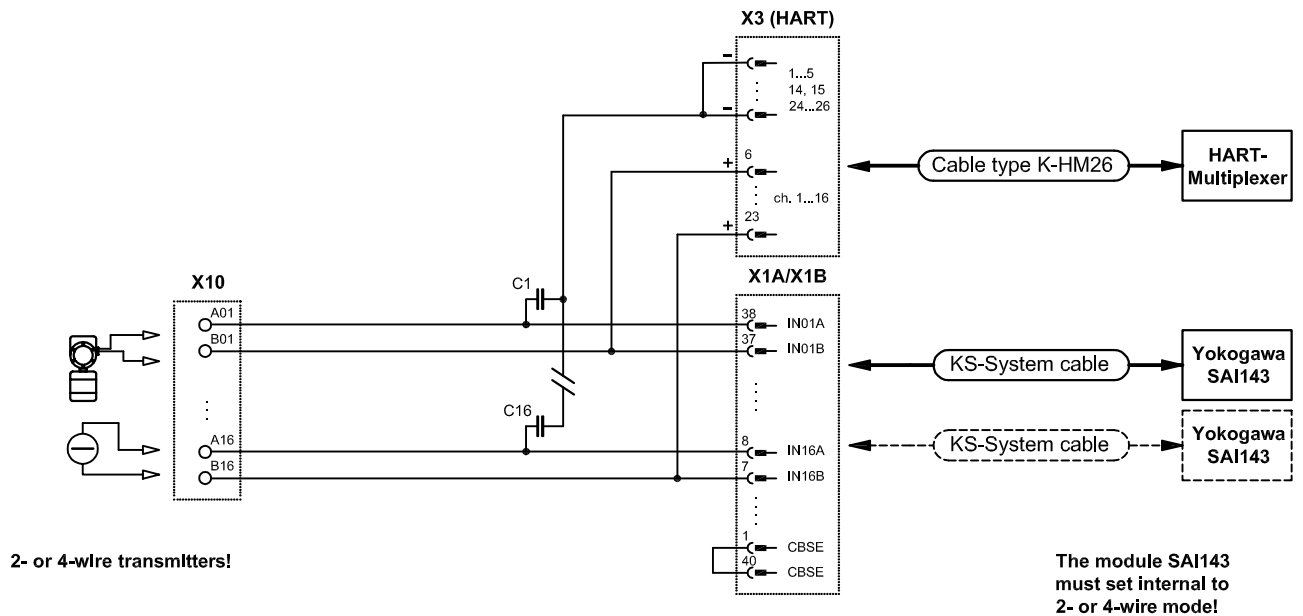


**Technical Description**

Field termination: X10	Pressure clamp terminal AWG 14...24	AI (4 ... 20 mA)
System connector: X1A, X1B	40 pin male YO40	AI (4 ... 20 mA)
Connector HART-Mux: X3	26 pin HART connector	HART-communication

**Function:** Termination-Board to connect to the Yokogawa ProSafe RS I/O module. The TB System connector X1A/X1B links to the Yokogawa I/O card via a standard cable supplied by Yokogawa. Two system connectors in parallel allow for redundant applications. The connections to/from the field are pressure clamp terminals X10. A HART connector X3, in parallel with the system connector, links to the Pepperl+Fuchs HART multiplexer via a ribbon cable type K-HM26. The board is designed to be mounted vertically on DIN-Rail (DIN EN 5022).

**Circuit diagram**



**Options:** TB-RS-AI16-SCSI40: PN 186103 (36-9313\_2) with SCSI connector

14.06.05	Bro	vB	Sb/vB	
Date	S TZ	Off. in ch.	contr. techn.	contr. Norm

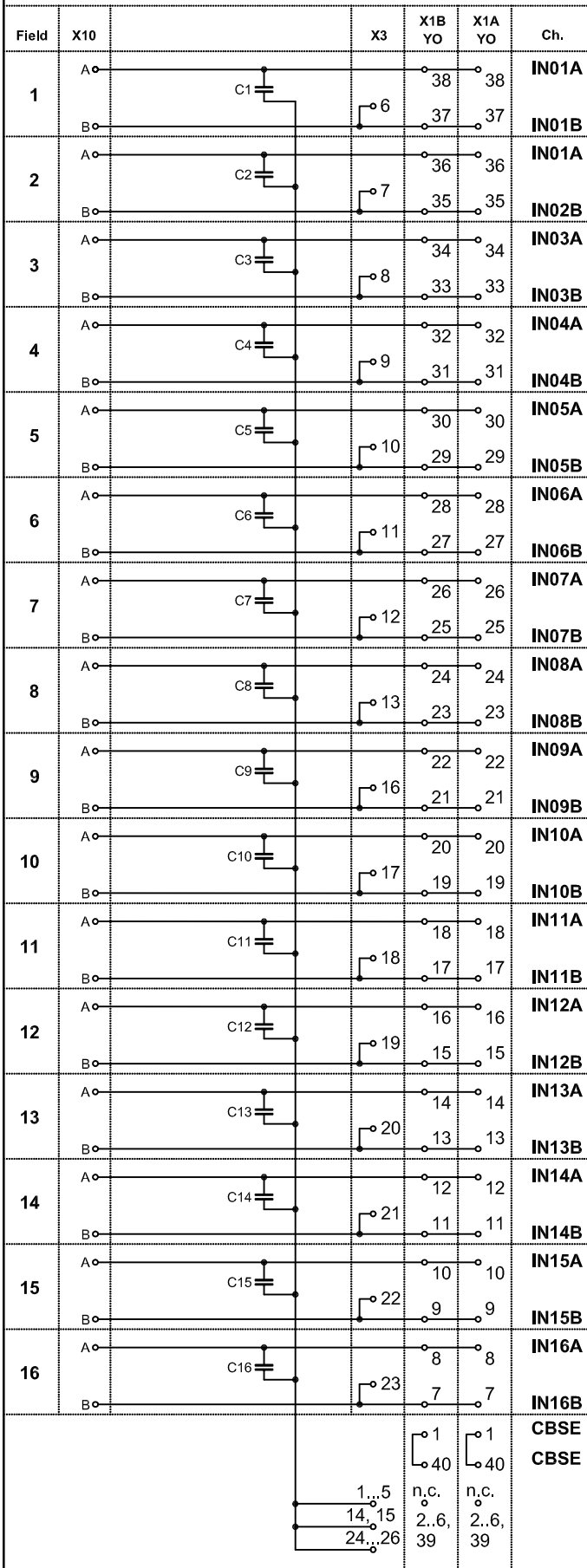
copyright according to DIN34 unauthorized distribution and reproduction prohibited

**PEPPERL+FUCHS**  
Mannheim-Schönau


FI-Module  
Non IS termination board  
AI 16 channels - redundant  
**TB-RS-AI16-KS-186102**

Dept.: PA-PG-IF	<b>No.36-9313E1</b>
Up date: HB 02.11.10	Replaces: XXXXX / 36-XXXX
Scale: 1 : 2	Sheet 1 of 2

Channels 1 ... 16



copyright according to DIN34  
unauthorized distribution and reproduction prohibited

 <b>PEPPERL+FUCHS</b> Mannheim-Schönau	FI-Module Non IS termination board AI 16 channels - redundant <b>TB-RS-AI16-KS-186102</b>	14.06.05	Bro	vB	Sb/vB	
		Date	S	TD	Off. in ch.	contr. techn.
		Dept.: PA-PG-IF	<b>No. 36-9313E1</b>			
		HB Up date: 02.11.10	Replaces: XXXXX / 36-XXXX		Sheet 2	
		Scale:			of 2	