

# SK - Instrument Housing for Thermocouple / RTD

## Description:

The SK instrument housing is made of aluminium alloy and circular shaped. They have a screwed blind cover and have different configuration for cable entry.

## Application:

The SK instrument housing is suitable to contain thermocouples/ RTDs (Resistance Temperature Detectors) or other thermometer elements, electronic transmitters or equivalent devices.

## Materials:

Body and cover: copper free aluminium alloy.  
Screws: stainless steel.

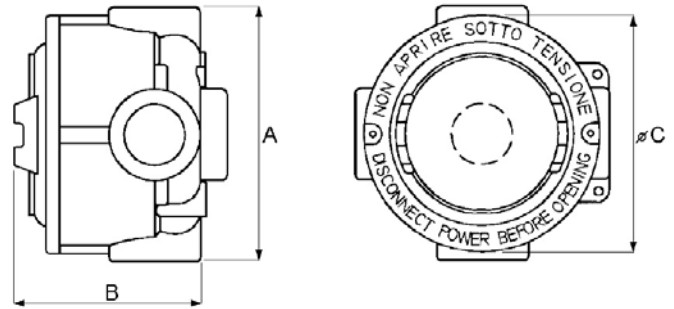
## Certification characteristics:

Type of Protection: II 2GD Ex d IIC / Ex tD A21  
II 2GD Ex e II / Ex tD A21.  
Class of Temperature: T6/T85 °C,  
T5/T100 °C (only Ex e version).  
Protection Degree: IP66 / IP67\*.  
Certificate: INERIS 01ATEX0023.  
Ambient Temperature: -50 / +60 °C (-20 / +40 °C).  
Zones: 1 – 21 – 2 – 22.

## Threads:

NPT (ANSI B1.20.1).  
Metric x 1.5 (ISO 261).

## Drawing SK



## Legend:

- A - Maximum external dimension.
- B - Maximum external dimension with cover.
- Ø C - External diameter.

## On request:

- Stainless steel version AISI 304 or AISI 316L.
- Thermocouple.
- \*IP67 protection with o-ring.
- Cover with port-hole.
- Anti loosening cover.
- Fixation brackets.
- External epoxy painting.
- Special inhibiting treatment.
- Cable glands for armoured or non armoured cable.

## SK - Data Table

Dimensions [mm] and approx. Weight [Kg]

Type	Entries		Dimensions			Weight	
	n°	Ø [NPT]	A	B	Ø C		
	SK/B 16	2	1/2"	100	75	90	0,45
	SK/B 26	2	3/4"	100	75	90	0,45
	SK/D 16	3	1/2"	100	75	90	0,45
	SK/D 26	3	3/4"	100	75	90	0,45
	SK/M 16	3	1/2"	100	75	90	0,45
	SK/M 26	3	3/4"	100	75	90	0,45
	SK/W 16	4	1/2"	100	75	90	0,45
	SK/W 26	4	3/4"	100	75	90	0,45
	SK/J 16	5	1/2"	100	75	90	0,45
	SK/J 26	5	3/4"	100	75	90	0,45

Release date 2011-01-24 – Updated 2011-11-17 - A1

This datasheet does not constitute any contract obligation.

Pepperl+Fuchs reserves the right to modify the products herein illustrated without prior notice. Copyright Pepperl+Fuchs srl - Italy: +39 039 6292 1

Pepperl+Fuchs Group  
www.pepperl-fuchs.com

USA: +1 330 486 0002  
pa-info@us.pepperl-fuchs.com

Germany: +49 621 776 2222  
pa-info@de.pepperl-fuchs.com

Singapore: +65 6779 9091  
pa-info@sg.pepperl-fuchs.com

**FP** PEPPERL+FUCHS  
PROTECTING YOUR PROCESS